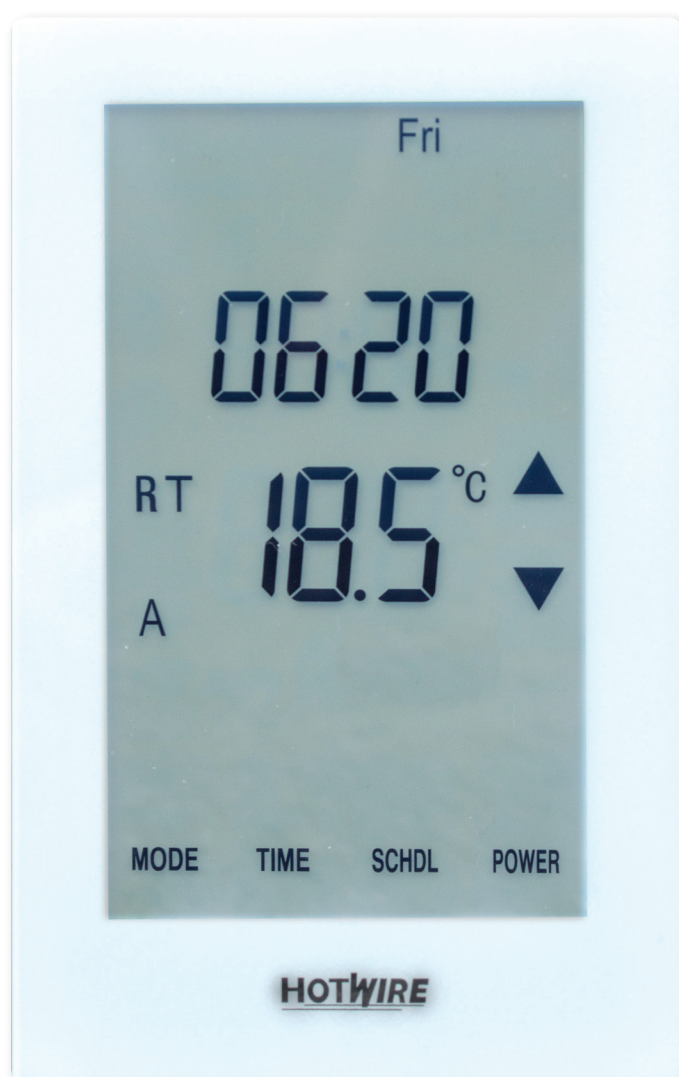
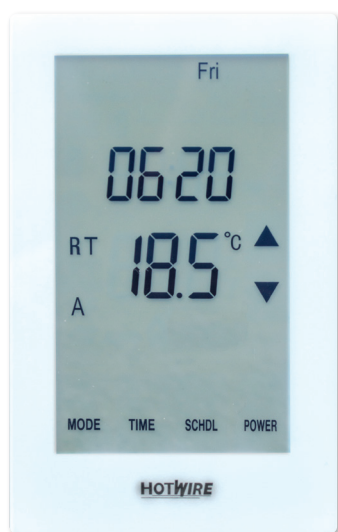


Hotwire Thermostat Instructions

Model Number: HWGL1
(25 AMP Capacity)



Hotwire Thermostat Instructions



LCD symbols

Icon Legend

	The buttons are locked
	Heating is turned on
	Frost protection activated
	Programme number
	Manual mode
AUTO	Automatic mode, executes the programmed schedules
	Temporary temperature override
Er	The floor sensor is not being read by the thermostat

Setting the clock and day of the week

This thermostat is fitted with a real time clock. It is essential that the clock time and day are set accurately if you require your programmed events to start on time. To set follow the steps below:

(1). Touch the "Time" button and the time will start flashing. Use the up and down arrows to set the time. By holding the arrow down the time will change faster.

(2). Press **NEXT** to move to the Day setting and use the up and down arrows to get to the correct day.

(2). Press **DONE** to store and exit.

Setting the Programme Schedules

This thermostat has the ability to programme each individual day of the week separately, or programme 7 days of the week at once. You can also programme weekdays (5 days) to one schedule and then weekends (2 days) to a different schedule. See the Menu information for details on how to set this up. (refer to Menu 10) See page 4 of this manual.

Programming your Thermostat.

This will help you programme your thermostat to come on and off automatically. If you want to simply turn it on and off when required skip this section.

(1). Press **SCHDL** and the day display will start flashing. Using the arrow to select the day you wish to programme. Then press Next. (If your thermostat is set to 5+2 day programmable mode, the programming will skip to step 3)

(2). To select every day to be the same simply press All.

(3). Press **NEXT** and is displayed. This is the first programme function of the day.

(4). The time is now flashing. Select the time you want the heating to come on in the morning. Then press next.

(5). The temperature is now flashing. Set the temperature that you want the floor to heat to. Then press next.

(6). The LCD screen will show programme 2 () and the time will be flashing. This is the time that the thermostat will switch off in the morning.

(7). Use and to adjust the time you wish the heating to switch off in the morning on the selected day or days.

(8). Press **NEXT** and the temperature will start flashing. This can be used to maintain a minimum temperature. In most cases this is not required and the temperature should be set to 5.

(9). Press **NEXT** and the icon will display. The time is also flashing. Set the time at which you want the heating to come on in the afternoon or evening. **NOTE:** If you do not wish the heating to come in the afternoon, simply set the "off" time for only a couple of minutes after the "on" time.

(10). Press **NEXT** and set the temperature required in the afternoon.

(11). Press **NEXT** and the LCD screen will show programme This is the time that the thermostat will switch off in the afternoon / evening. Press **NEXT** and set the temperature. As per above we recommend 5. Then Press **DONE**

(*) Hint: If you use the default programming of 5 week days plus 2 weekend days you will now need to repeat the above steps for the weekend.

Default Programming is as follows.

Programme	Start Time	Setpoint	Explanation
01	WAKE 07:00	22 °C	This is the time the heating will come on in the morning.
02	LEAVE 09:30	16 °C	This is the time the heating will switch off in the morning. It can also be used to set a minimum temperature for the day.
03	RETURN 16:30	22 °C	This is the time the heating will come on in the afternoon.
04	SLEEP 22:30	16 °C	This is the time the heating will switch off in the afternoon / evening. If you do not require the heating in the afternoon / evening, simply set this time to a couple of minutes after the "on" time.

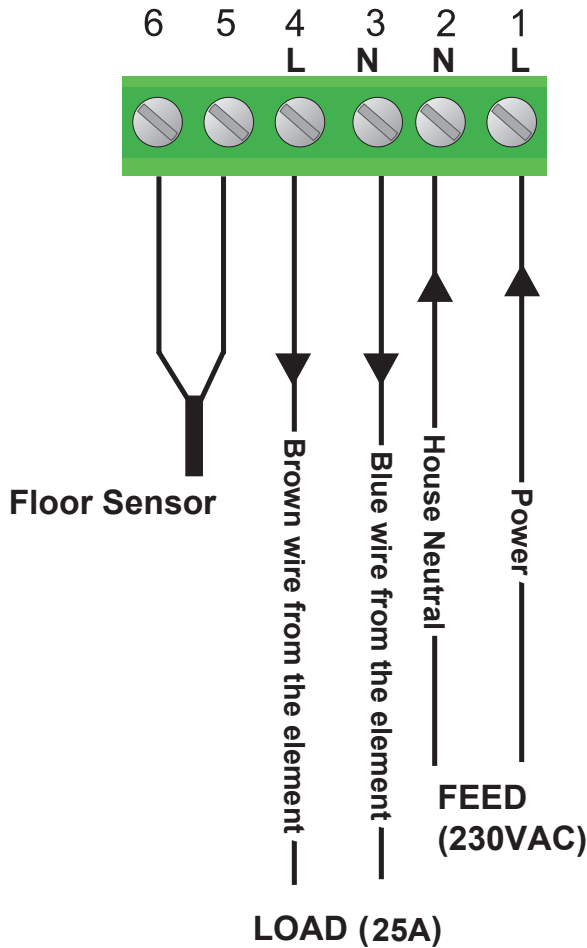
Hotwire Thermostat Instructions

Installation and Wiring

Carefully separate the front half of the thermostat from the back plate by unscrewing the small screw at the bottom of the thermostat. Carefully unplug the ribbon connector which is plugged into the front half of the thermostat. Place the thermostat front half somewhere safe. Terminate the thermostat as shown in the diagrams below.

Screw the thermostat back plate onto the flush box

Re-connect the thermostat ribbon cable and clip the two halves together.



Connect green wire from the element to the house earth.



This product should be installed by a qualified electrician.

Manual Mode

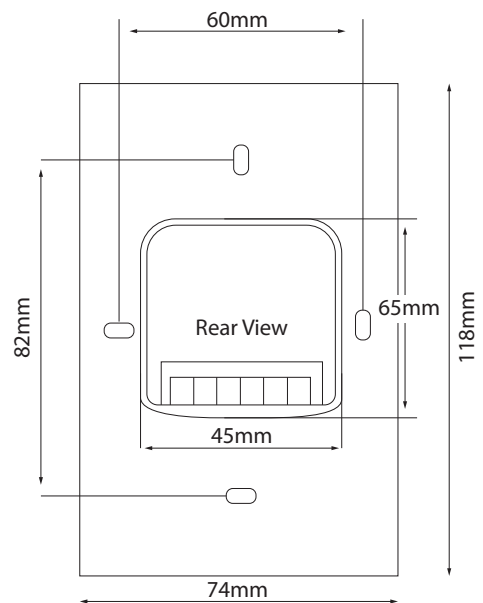
Press **MODE** to select Auto/Manual mode. In Manual mode (👉), the thermostat maintains a constant set temperature manually set by the user. Simply adjust the temperature using the arrows. In Auto mode, the thermostat executes the preprogrammed schedules.

Lock the Keypad

To lock the keypad, press and hold the power button for 5 seconds, you will see a lock symbol 🔒. To unlock, repeat the steps above and the lock symbol will disappear.

Reset to Factory Setting

To conduct a master reset to factory settings, press the power button to turn the thermostat off. Press and hold Menu for 5 seconds. Move to menu 17 then hold the down button for 5 seconds.



Hotwire Thermostat

Technical Information

Configuration Menu

To enter into the setting menu please follow the steps below:

Step 1. Turn the thermostat off by pressing **POWER**

Step 2. Press **MENU** you will then see menu 01.

Step 3. Use the up and down arrows to adjust the sensor selecti on which is Menu 01 (Air sensing;Air and Floor, or Floor only)

Step 4. Press **NEXT** to move to the next Menu and once you have all the menu options set,

Setp 5. Press **DONE** to accept and store.

Menu #	Feature	Explanation	Adjustment (Press up & down buttons to adjust)
01	Mode/Sensor Selection	This thermostat is a combination model which allows you to choose 3 different modes. A mode = Air Sensing Only(Has built in sensor) AF mode = Air & Floor sensing (Floor probe must be installed) F mode = Floor Sensing(Floor probe must be installed)	A / AF / F
02	Switching differential	The number of degrees difference before switching. The default is 1°C which means the thermostat will switch the heating on 0.5°C below the set temperature and will turn it off 0.5°C above the set temperature. With a 2°C differential the heating will switch on 1°C below the set temperature and will switch off 1°C above the set temperature.	1 Deg C, 2 Deg C....10 Deg C (1 Deg C by default)
03	Air Temp Calibration	This is to recalibrate the air temp if required	-1 Deg C = decrease 1 °C , 1 Deg C = increase 1 Deg C
04	Floor Temp Calibration	This is to recalibrate the floor temperature if required	-1 Deg C = decrease 1 °C , 1 Deg C = increase 1 Deg C
05	Temperature Readout (AF mode only)	This gives you the option to show the Air Temp, Floor Temp or to show both Air & Floor at intervals	A = Show Air Temperature F = Show Floor Temperature A-F = Show Floor and Air Temperature in 5 sec intervals
06	Maximum Floor Temp (AF Mode only)	This is to protect the floor surface	20 Deg C - 40 Deg C (40 Deg C by default)
07	Temperature Format	This allows the temperature to be set to show Deg Celsius or Deg Fahrenheit	Deg C / Deg F
08	Clock Format	You can select the clock to show in either 12 or 24 hour time	24 (default), 12- hour or 24-hour clock format
09	Frost Protection	This is to avoid your room temp going below 5 DegC	On = activated, Off = deactivated
10	5+2 / 7 Day mode	This allows you to programme either 5 days at once, then the 2 days of the weekend separately, or a full 7 days at the same time or 7 days separately.	01 = 5 + 2 Day Programming 02 = 7 Day Programming
11	Auto/Manual mode selection	This allows you to choose Auto / Manual mode	00 = Auto mode 01 = Manual mode
12	Software version	This is for review only	V1.0
13	Minimum temperature limit	This gives you the option to change the minimum set temperature	5 °C ~ 20 °C (5 °C by default)
14	Maximum temperature limit	This gives you the option to change the maximum set temperature	This gives you the option to change the maximum set temperature
15	Sensor type selection	This allows you to match your thermostat to different sensor	10 = NTC10K(by default), 100= NTC100K, 3=NTC3K
16	Not at use	Reserved for future use	
17	Reset	This allows you to reset your thermostat to factory default	Press and hold down button until you see RES on screen