



Floor Heating and Heated Towel Rails

PRODUCT CATALOGUE



Floor Heating and Heated Towel Rails

PRODUCT CATALOGUE

1 Technology
Touchscreen Thermostats



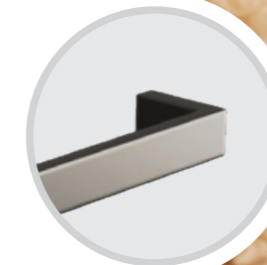
2 Floor Heating
Floor Solutions
Efficiency & Value

3 The Block's Kyal and Kara
Australia's favourite renovators



4 Heated Towel Rails
Bathroom Solutions
Technical Specifications

5 Low Voltage Towel Rails
Bathroom Solutions
Technical Specifications



6 Global Standards
Manufacturing & Warranty



Nothing left to do but simply relax

Touch Screen Thermostat

Every Hotwire Heating System comes with a fully programmable touch screen thermostat. Simply program it around your lifestyle for luxurious heating whenever you require it.



Fully programmable
Floor or air sensing

Multiple daily functions
Touch Screen

So easy to set

Control your settings with the convenience of the Hotwire mobile app

We also offer a WiFi thermostat. You can control all the settings on your Hotwire system with the convenience of a mobile app.



Programmable Timer for Heated Towel Rails

The Hotwire Programmable Timer allows you to turn your towel rail On and Off and also select 2 or 4 hours of operation. Simply turn it on when you get up in the morning and your towel will be lovely and warm when you need it. Return your towel to the rail and it will be dry before you know it.



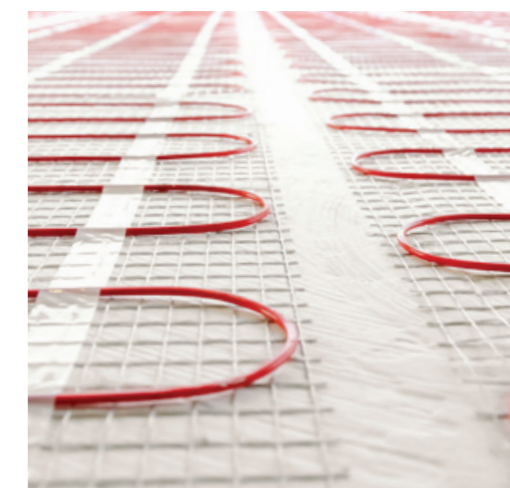
Built-In to towel rail
Co-ordinating colours



Affordable luxurious warmth for your loved ones

Hotwire Floor Heating may well be the very ultimate in home heating.

Floor heating radiates warmth from the ground up, heating not just your feet but your entire home. Hotwire is luxury you can afford. An average bathroom system is yours for approximately \$800 RRP and a living room for only \$2500 RRP*. As the heat is evenly spread throughout every room, it's just like standing outside in the first few days of Spring; beautifully warm and thoroughly luxurious.



*Based on a 4m² bathroom and 40m² living room. (Excluding installation)



Heating for a room, an open living space, or an entire house

Under Tile Heating

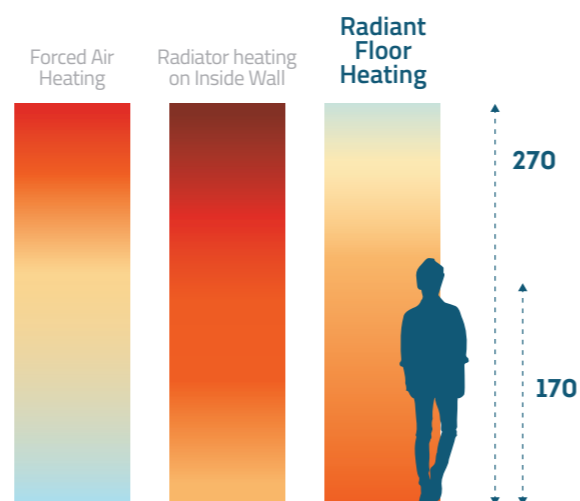
Under Tile Heating is perfect for the Australian climate. The 4mm thick element is placed directly on top of the sub floor and the flooring simply laid over the top. As the element is so close to the floor surface your home will be warm in 30-60 minutes.* The fully programmable touch screen thermostat can program your floor heating to switch on when you require it, so when you arrive home or get up in the morning your home is luxuriously warm and waiting for you.

Under Tile Heating is ideal if you are renovating as only the floor surface needs to be replaced to facilitate installation. You can cover an area as small as 1m² through to the biggest living areas. With running costs as low as 2c per m² per hour it sells itself.

Hotwire is perfect for a bathroom as the heating will not only heat the floor but also dry the floor meaning less mould and therefore less cleaning.

*Home insulation and some environmental factors can affect the heat up time of floor heating systems.

Temperature Profiles for Various Methods of Heating



Other styles of Floor Heating from Hotwire

In Screed Heating

In Screed Heating is ideal if you are installing a sand and cement screed over a floor surface or planning a polished concrete floor. Whether you are building a new bathroom or an extended living area In Screed Heating is a perfect solution.

The element sits approximately 30mm deep in the screed and spreads an even warmth throughout the entire room. It does take a little longer to heat than Under Tile Heating (up to 2 hours) but may be the ideal solution for your project.

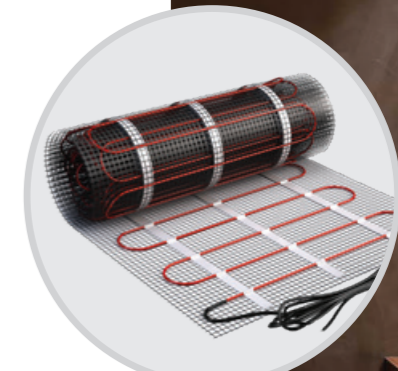
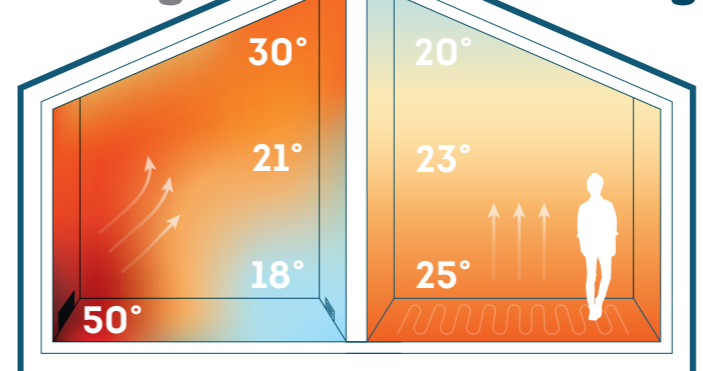
Heating Mat

Heating Mats are available in Under Tile Heating and In Screed Heating.

Hotwire Heating mats have the added bonus of the heating element being already fixed to a self adhesive fibreglass mesh. This makes installation a breeze as you simply roll out the system across your floor.

As with all Hotwire products the fully programmable thermostat is standard. You just need to choose which colour you want!

Forced Air Heating vs Radiant Floor Heating



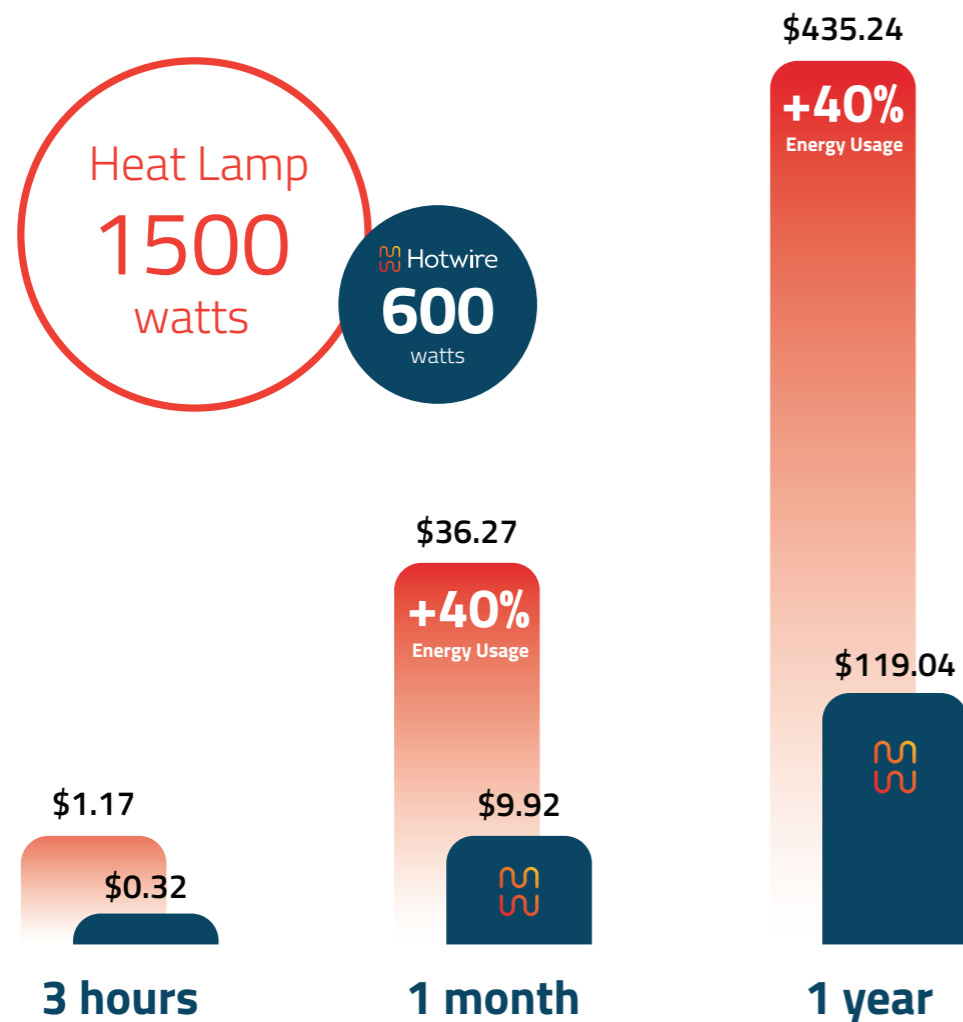
10
YEAR WARRANTY
HEATING ELEMENT

2
YEAR WARRANTY
THERMOSTAT



More efficient heating for your home

Running costs of Hotwire vs Heat Lamp



*The comparisons are based on a 4 bulb Heat Lamp unit at 375 watts per bulb. Hotwire costs based on a 600 watt element heating at full capacity for 1 hour and then cycling at 50% capacity for the next 2 hours. Running cost of \$0.26 per/unit is an estimate only and will vary due to site conditions.



Get the clean, hygienic flooring you've always wanted without sacrificing warmth



"We used Hotwire in our first season on The Block and in various projects since. Hotwire is a great product, easy to install and excellent value for money. Hotwire offers brilliant backup and support and we are very happy to recommend them."

-Kyal and Kara
The Block



See Hotwire in action!

▶ BAYSIDE BUILDS EP 2

Australia's favourite renovators
**The Block's Kyal and Kara,
love their Hotwire**

Nothing beats that feeling of warmth

Imagine stepping out of your shower on a cold winters morning and being greeted by a toasty warm towel to wrap yourself in. A beautiful touch of luxury to wipe away those winter chills, at a price you can afford.

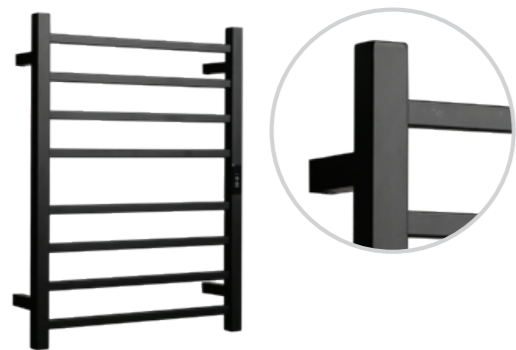


Heated towel rails to suit any bathroom

FLAT SQ8 / FLAT SQ10

Flat Square

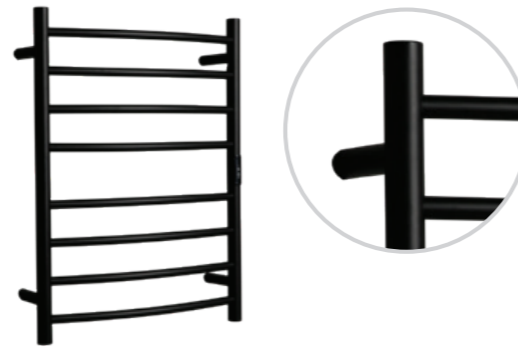
The flat square towel rail sets the standard in towel rail design. It features elegant square vertical rails and rectangular horizontal bars. It creates an excellent feature and adds luxury to your bathroom.



CURVE R8 / CURVE R10

Curved Round

The curved round towel rail is a classic and enduring popular design. Featuring round vertical rails and curved horizontal bars and adds extra elegance to your bathroom.



FLAT R8 / FLAT R10

Flat Round

The flat towel rail is perfect in its simplicity. Another classic featuring round vertical rails and flat round horizontal bars.



FS7

Free Standing

The free standing towel rail has round vertical and horizontal bars and is ideal if you don't have the wall space for a standard rail.



V2

Vertical 2

The vertical rail solves space problems in both new and old bathrooms. Ideal where you have limited wall space. The V2 can accommodate up to 4 towels.

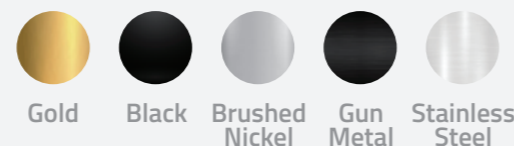


Actual colour may vary from printed image.

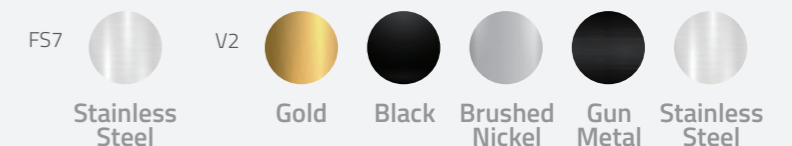
Actual colour may vary from printed image.

FINISH OPTIONS

FLAT SQ8/SQ10,
CURVE R8/R10,
FLAT R8/R10



FINISH OPTIONS



Built-in Programmable Timer

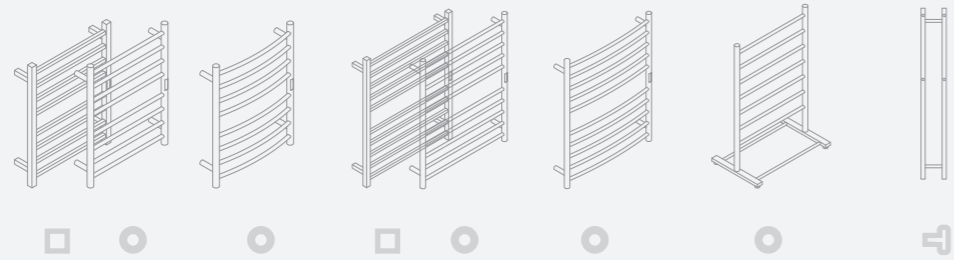
The Hotwire Programmable Timer allows you to turn your towel rail On and Off and also select 2 or 4 hours of operation. Simply turn it on when you get up in the morning and your towel will be lovely and warm when you need it. Return your towel to the rail and it will be dry before you know it.*



*Programmable Timer included on Flat Square, Curved Round, and Flat Round towel rails only.

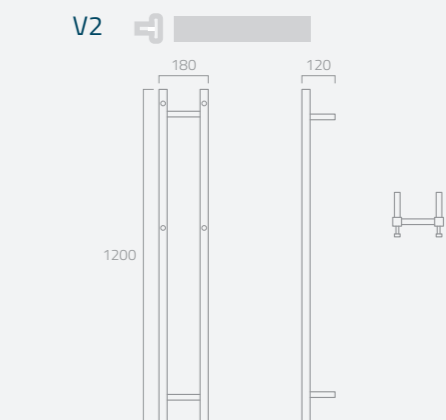
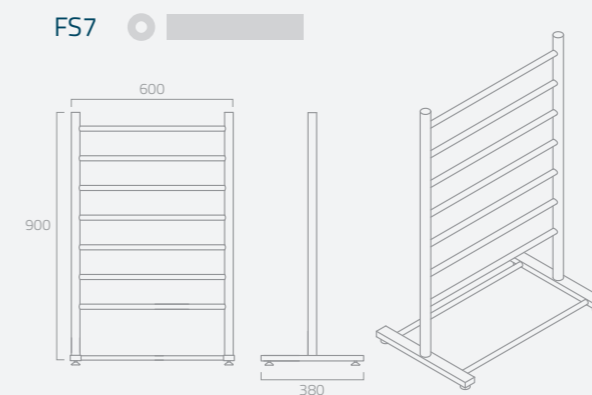
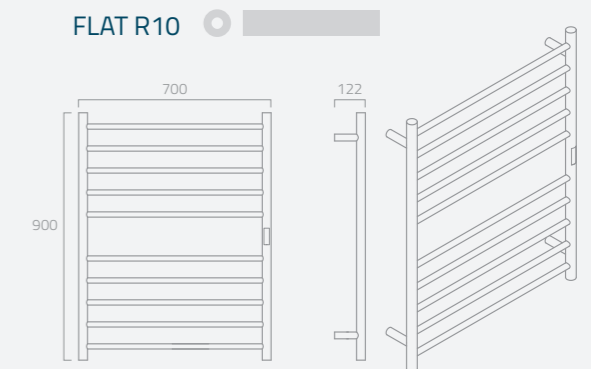
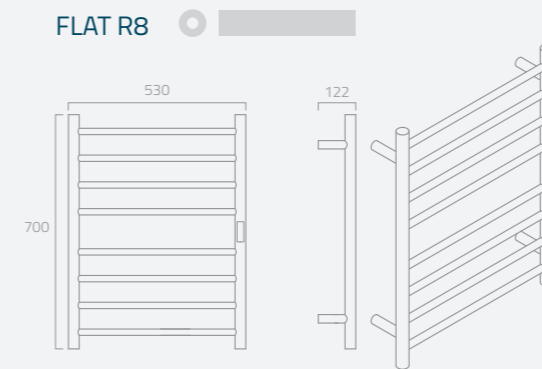
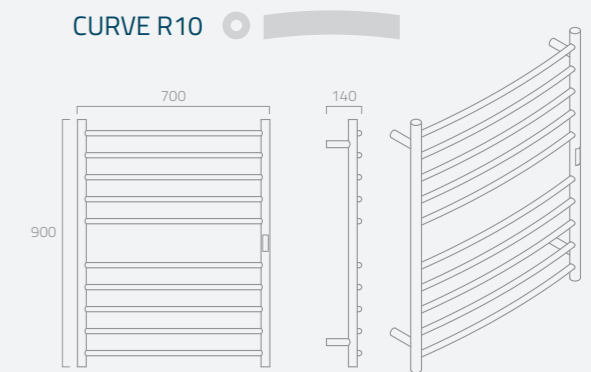
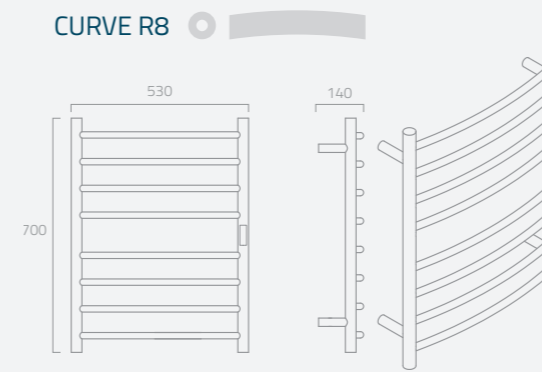
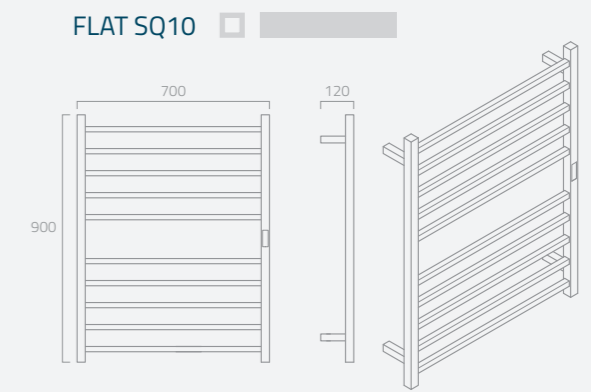
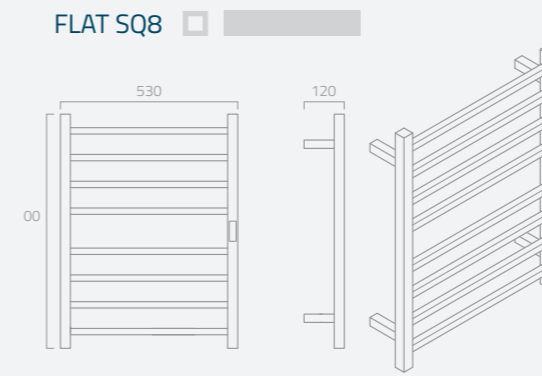


Heated towel rails to fit bathrooms of all sizes



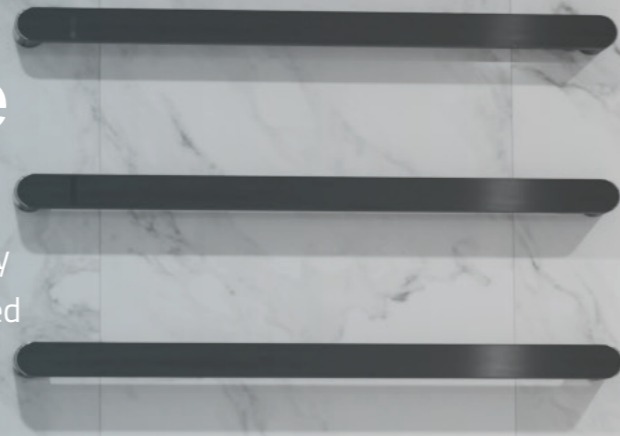
Product name	Flat SQ8 Flat R8	Curve R8	Flat SQ10 Flat R10	Curve R10	FS7	V2
Number of Rails	8	8	10	10	7	2
Height (mm)	700	700	900	900	900	1200
Width (mm)	530	530	700	700	600	180
Depth (mm)	122	140	128	140	NA	120
Weight (kg)	4	3.25	4.5	4.5	4	4
Watts	80	80	130	130	90	40
Finish Options	5	5	5	5	1	5
Concealed Wiring Adaptor	Yes	Yes	Yes	Yes	N/A	Yes
Running Cost * per Hour (approx)	2¢	2¢	3¢	3¢	2¢	1¢

*Running costs calculation is based on an electricity tariff of 25¢ per kilowatt. Check with your electricity provider on your current tariff. No responsibility is taken for the correct calculation of running costs.



Modern Elegance. Slimline low-voltage Towel rails

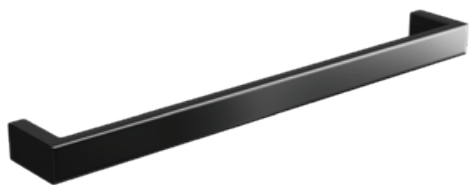
Experience the fusion of sleek design and energy efficiency with our Slimline Low-Voltage Towel Rails. Perfectly crafted to enhance your bathroom aesthetics, these rails offer gentle, consistent warmth. Their low-voltage operation ensures safety and cost-effectiveness, making them an ideal choice for any contemporary home.



SLIMLINE

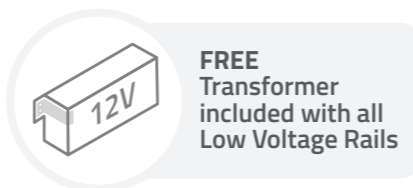
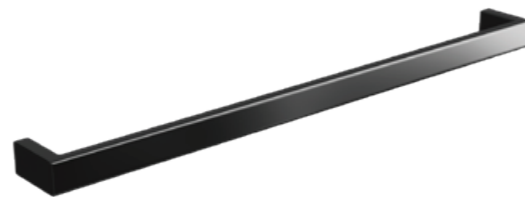
Horizontal Slimline Towel Rails

HWSQ600 12V □
Single Square 600

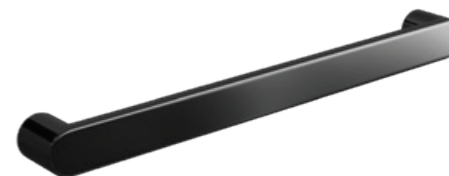


Bold and luxurious
Step into the future of bathroom luxury with our Square Slimline Heated Towel Rail, where bold geometry meets innovative low-voltage technology.

HWSQ800 12V □
Single Square 800

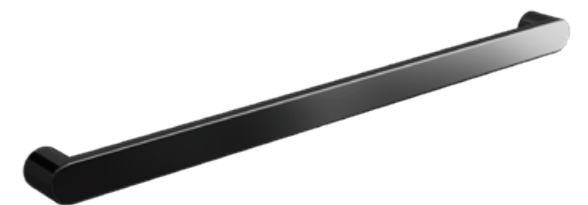


HWRD600 12V ○
Single Round 600



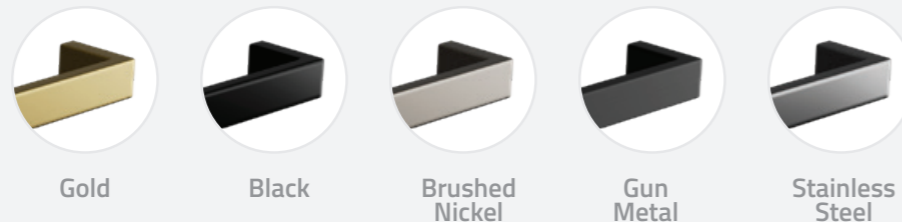
Seamless elegance
Indulge in the seamless blend of smooth contours and efficient warmth with our Round Slimline Heated Towel Rail.

HWRD800 12V ○
Single Round 800



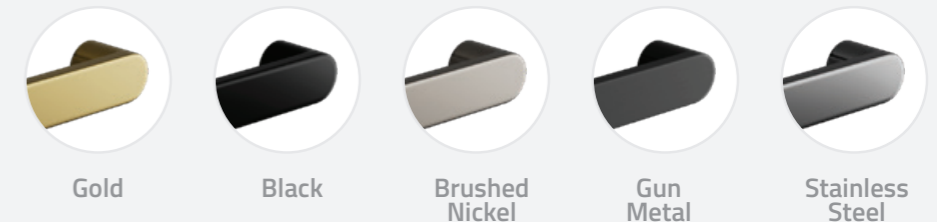
FINISH OPTIONS

HWSQ600
HWSQ800
Actual colour may vary from printed image.



FINISH OPTIONS

HWRD600
HWRD800
Actual colour may vary from printed image.



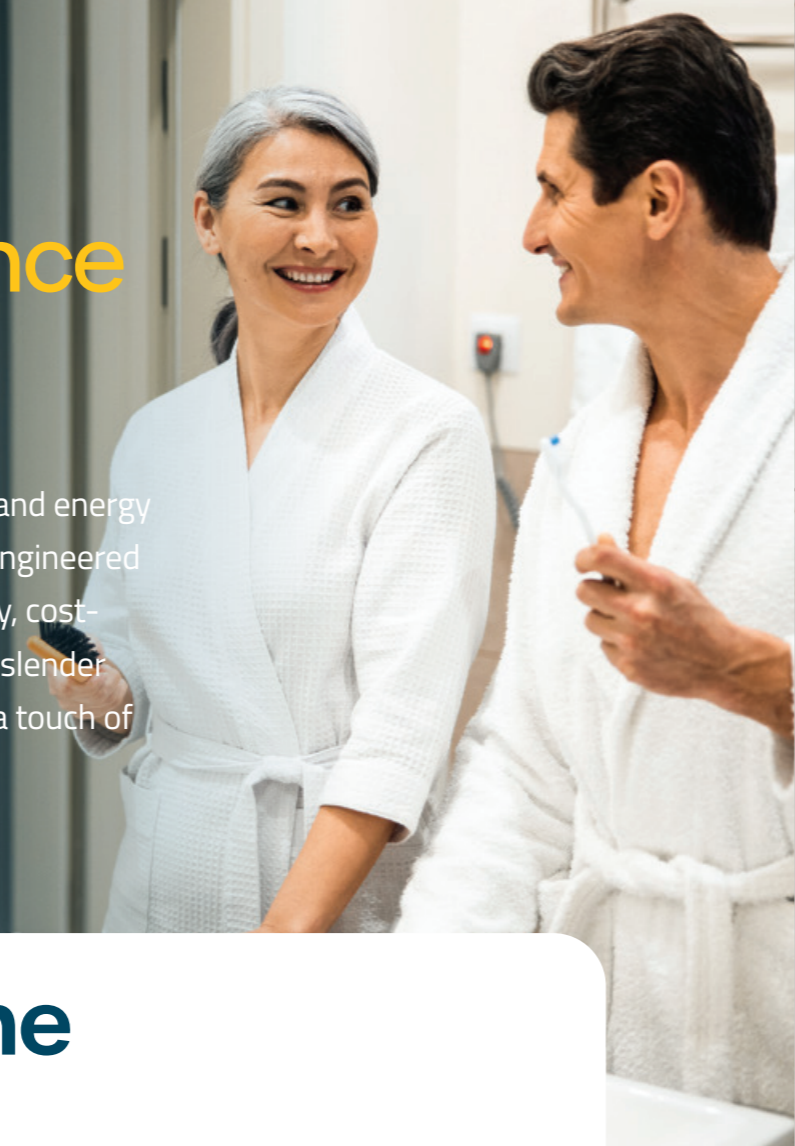
Programmable Timer



The Hotwire 24 hour timer is a great optional addition to your Low Voltage Rails. It saves energy and cuts down on your power bill, as the rail only heats up when you need it. This also means your towels are warm right when you want them, adding a touch of comfort to your daily routine.

Slimline elegance Low-voltage efficiency

Discover the perfect blend of sleek design and energy efficiency with our Slimline Vertical Rails. Engineered for low voltage use, it offers an eco-friendly, cost-effective solution to warm your towels. Its slender profile not only saves space but also adds a touch of modern sophistication to your bathroom.



Vertical Slimline Towel Rails

FL1 900

12V

Single Flat 900

Embrace modernity with our Square Slimline Heated Towel Rail, a perfect fusion of sharp lines and cutting-edge, low-voltage performance.



 **FREE** Transformer included with all Low Voltage Rails

RD1 900

12V

Single Round 900

Experience timeless elegance with our Round Slimline Heated Towel Rail, where classic curves meet contemporary efficiency.

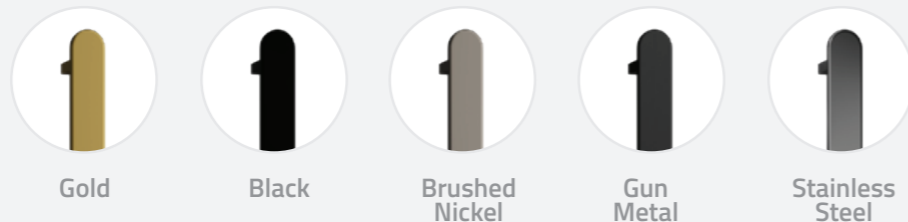


 **FREE** Transformer included with all Low Voltage Rails

FINISH OPTIONS

FL1 900
RD1 900

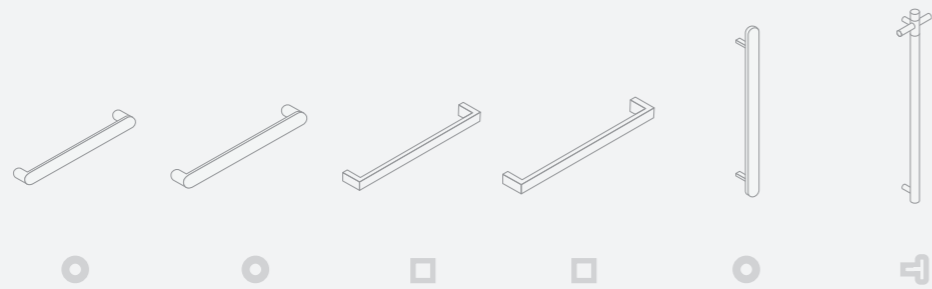
Actual colour may vary from printed image.



A choice of colour and finish for any bathroom



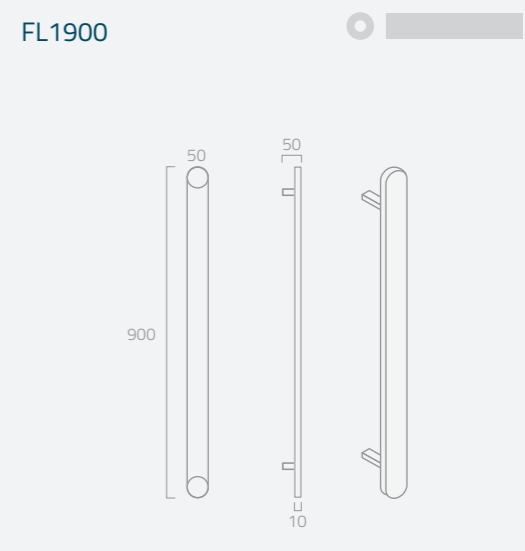
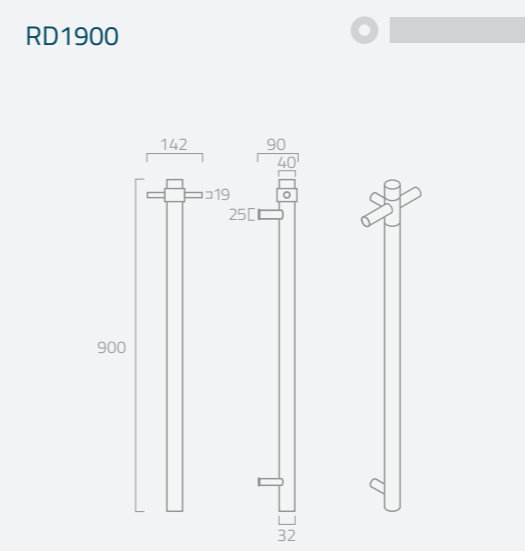
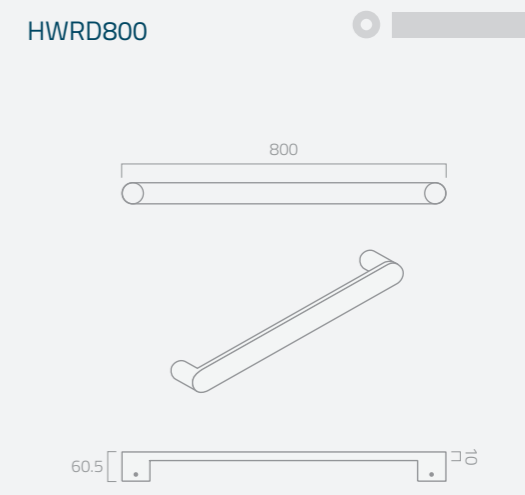
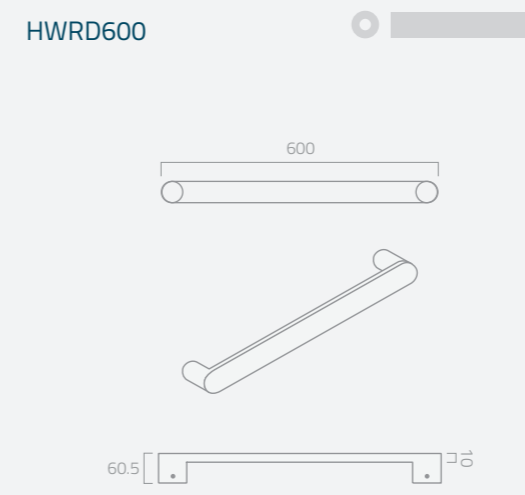
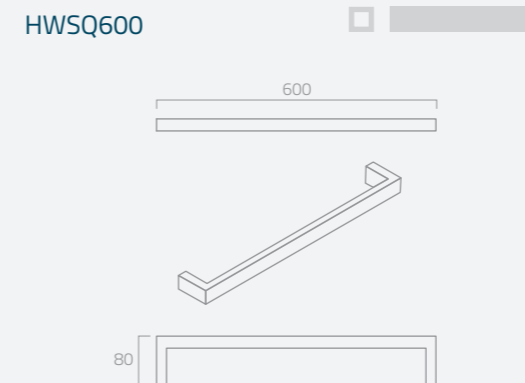
Heated towel rails to fit bathrooms of all sizes



Product name	HWRD600	HWRD800	HWSQ600	HWSQ800	FL1900	RD1900
Number of Rails	1	1	1	1	1	1
Height (mm)	50	50	40	40	900	900
Width (mm)	600	800	600	800	50	142
Depth (mm)	60.5	60.5	80	80	50	90
Weight (kg)	1	1.1	1	1.1	1	1.1
Watts	15 Watts	18 Watts	15 Watts	18 Watts	25 Watts	25 Watts
Finish Options	5	5	5	5	5	5
Concealed Wiring Adaptor	Yes	Yes	Yes	Yes	Yes	Yes
Transformer Included	Yes	Yes	Yes	Yes	Yes	Yes

Running Cost * per Hour (approx) Running costs can be as low as **2c** per hour depending on the number rails per bathroom

*Running costs calculation is based on an electricity tariff of 25¢ per kilowatt. Check with your electricity provider on your current tariff. No responsibility is taken for the correct calculation of running costs.



Manufactured to global standards

304 GRADE STAINLESS STEEL
Flat: SQB/10, CURVE RB/10
 FLAT RB/10 & V2

201 GRADE STAINLESS STEEL
FS7

1.5m FLEX PROVIDED
Components for concealed wiring included

230/240 VOLTS AC 50 HZ

IP55 SPLASHPROOF

15/25W SLIMLINE 12V

5 YEAR WARRANTY
 HEATED TOWEL RAILS*

2 YEAR WARRANTY
 FS7 TOWEL RAIL

*Excluding FS7

All measurements and specifications are subject to change without notice. Exact dimensions of product supplied may vary slightly from specifications provided.



“Using Hotwire Floor Heating for the first time is like flying first class or business class for the first time. It’s not a dire necessity, but damn does it feel good. Trust me, no matter where you live in Australia, you’ll never go back. And the best thing? Hotwire is WAY cheaper than you think.”

-Shannon & Simon
The Block





1300 468 947

AUSTRALIA

Hotwire Heating

www.hotwireheating.com.au

NEW ZEALAND

The Heating Company

www.theheatingcompany.co.nz

