

# Vertical Towel Rail Installation Manual



# Vertical Towel Rail Installation Manual

Congratulations on the purchase of your Hotwire Towel Rail. You have purchased a quality product that will serve you well for years to come.

Please follow these installation instructions carefully to ensure maximum value and enjoyment from your new Hotwire Towel Rail

## There are two ways that you can connect your towel rail

1. Concealed wiring. All the electrical wiring is completed inside the wall cavity and the arm of the towel rail. No cable will be visible in your bathroom.
2. Plug in. You simply plug in the towel rail to the nearest power point. If you have the opportunity to plan your bathroom accordingly only a very small length of cable will be visible.

All the components to complete either method are included in the package.

## INSTRUCTIONS:

### Plug In Connection:

1. Hold the towel rail up against the wall where you want to install it. Ensure that there is plenty of space and the bottom rail is at least 600mm off the floor. Also make sure you can reach the power point required.
2. Now fix the two top legs or wall spacers to the rail, using screw pan head screw. See Fig 1.
3. Then attach the bottom spacer WITHOUT the power cord.
4. Attach the last leg where the power is connected. Ensure you use the leg that has the cut out section to allow the power to run down next to the wall. See Fig 2.
5. Loosely position the bases on to the rail.
6. Hold the towel rail against the wall. Make sure it is level vertically and horizontally. Mark a circle around each base

7. Remove one of the bases and using it as a guide, mark where you will need to drill the holes through the middle of the base.
8. Drill the holes and insert the plastic expanders.
9. Fix the bases into position.
10. Position the towel rail over the bases.
11. Fasten the bases to the towel rail using screw 10.
12. Plug in the towel rail and enjoy the luxury of your Hotwire Towel Rail

Fig. 1

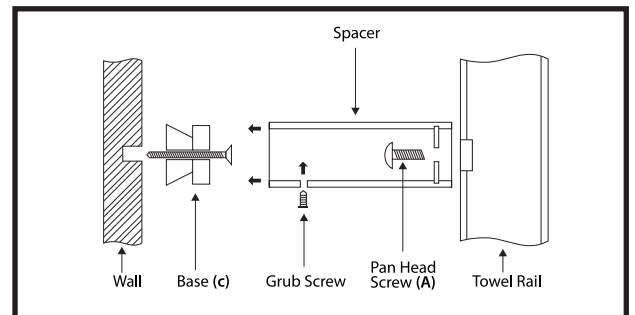
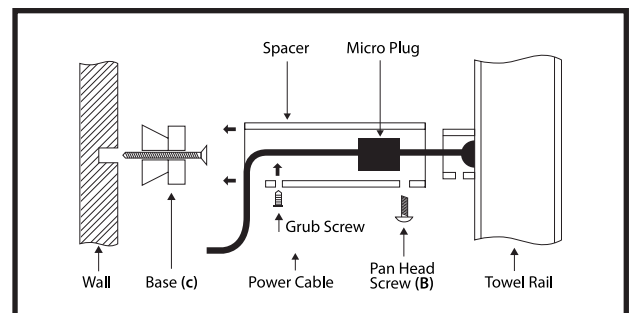


Fig. 2



### Concealed Wiring:

This method of connection will allow you to completely conceal the cable for your towel rail.

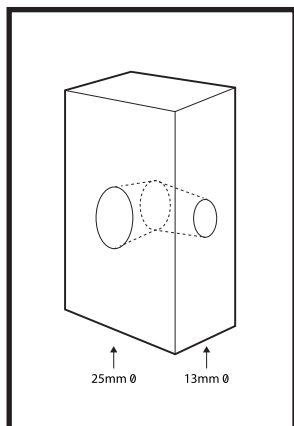
### Preparation:

#### Stud Wall:

1. Drill a 13mm hole into the face of the stud where the base will sit. This will accommodate the cable to be fed through. Drill the hole to a depth of 40mm.
2. Drill another hole into the side of the stud. This will accommodate the cable feed. Drill this hole at 25mm diameter. See Fig 4.

3. Place a draw wire from the flush box through the 13mm hole so the power cable can be pulled through at a later date.
4. Alternatively simply run a power cable through the holes. Ensure this cable is not live.

**Fig. 4**



### Preparation:

#### Masonry Wall:

Drill a 14mm diameter hole through to the cavity and fix the Plastic Hollow Sheath (14) in the hole using epoxy resin or suitable builders adhesive. The thread of the sheath should be flush with the outside of the cladding or Gyprock. If there is no cavity available it is possible to chase the cable to the nearest power supply.

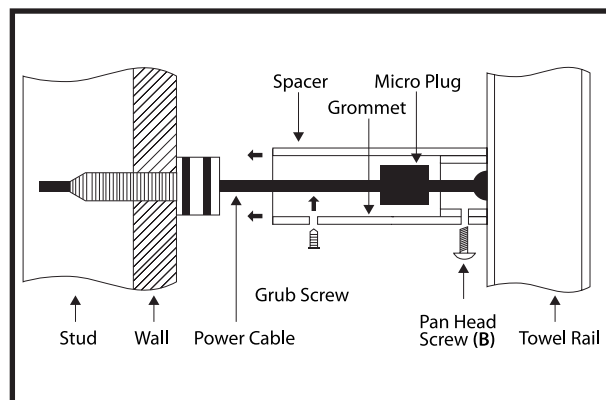
### Installation:

- 1) Cut the plug off the end of the cable.
- 2) Pull the cable through the hole and run it out the end of the wall spacer instead ensure you use the spacer without the cut out section. ie There are 5 spacers included in the package. The one with cut out section is for external or plug in connection.
- 3) Hold the towel rail against the wall. Make sure it is level vertically and horizontally. Mark a circle around each base.
- 4) Remove one of the bases and using it as a guide, mark where you will need to drill the holes through the middle of the base.

5. Drill the holes and insert the plastic expanders.
6. Fix the bases into position.
7. Insert the plastic expander into the hole in the wall over the draw wire or power cable. See Fig 3.
8. Connect the power supply to the towel rail. The join should remain inside the wall spacer or leg.
9. Position the towel rail over the bases and plastic expander.
10. Fasten the bases to the towel rail using a screw pan head screw.
13. Enjoy the luxury of your Hotwire Towel Rail.

Finally screw the 4 hooks to the front of your Hotwire Towel Rail.

**Fig. 3**



## TECHNICAL:

This product is manufactured to International Standards:

IEC335-1: 1991  
IEC60335-2-43, 1995  
AS/NZS3350.1.2002.

IP Rating is IP34:

This appliance is rated for voltage 200v - 240v.  
This appliance must be connected to the house Earth.

## WIRING INSTRUCTIONS

---- green/yellow: Earth  
---- blue: Neutral  
---- brown: Phase (power)

All Electrical connections and terminations must be conducted by a licensed A Class Electrician.

## LEGAL:

If installed directly to fixed wiring, a qualified Electrician must install this appliance in accordance with local wiring regulations and this Instruction Manual. A means of disconnection from the supply must be provided. If connected to the supply via a three-pin plug to a fixed socket, the plug must be accessible for disconnection. If the power cord is damaged the complete appliance should be returned to the Manufacturer for repair.

- This appliance is not intended for use by persons (including children) with reduced physical, sensory or mental capabilities, or lack of experience and knowledge, unless they have been given supervision or instruction concerning use of the appliance by a person responsible for their safety.
- Children should be supervised to ensure that they do not play with the appliance.
- Means for disconnection must be incorporated in the fixed wiring in accordance with the wiring rules.
- If the supply cord is damaged, it must be replaced by the Manufacturer, its service agent or similarly qualified persons in order to avoid a hazard.
- Keep heating surfaces at least 100 mm away from surrounding structures.

**WARNING:** In order to avoid a hazard for very young children, this appliance should be installed so that the lowest heated rail is at least 600 mm above the floor.

## WARRANTY

For warranty information please see enclosed sheet or websites listed below.

### AUSTRALIA

Hotwire Heating  
[www.hotwireheating.com.au](http://www.hotwireheating.com.au)

### NEW ZEALAND

The Heating Company  
[www.theheatingcompany.co.nz/](http://www.theheatingcompany.co.nz/)