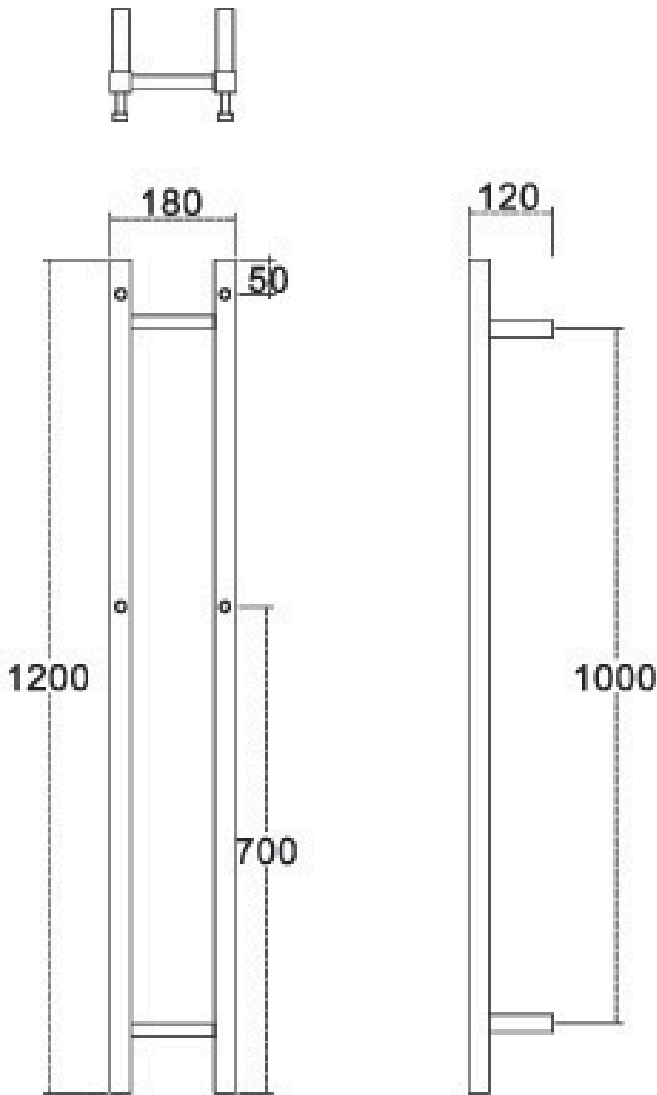


# V2 SPECIFICATIONS SHEET



V2

## Note

All measurements and specifications are subject to change without notice. Exact dimensions for product supplied may vary slightly from specifications provided

## Manufactured to International Standards

AS/NZ60335.2.43:2018

AS/NZ60335.1

## IP Rating IP34

## Concealed Wiring Included

## Wiring

The V2 can be connected from the bottom left or right rail. 1.5 meters of flex is provided as are all the components required for concealed Wiring. A 3 pin plug is also fitted

## Supply

230/240 volts a.c. 50HZ

## Finish Options

Stainless Steel

Matte Black

## STYLE

Model	V2
Number of Rails	2
Height (mm)	1200
Width (mm)	180
Depth (mm)	120
Weight (kg)	4
Watts	40